

Examine all packaging material for small parts that may have come loose during shipment. Periodic checks are recommended to insure that all components are in proper position, tight and free from damage. Keep this assembly instruction for future reference. Adult assembly is required. Online Parts Request: parts.request@hillsdalefurniture.com - Customer Service Phone Number: 502-562-0000

- | HARDWARE LIST | PARTS LIST |
|-------------------------|----------------------|
| A (4) Long Allen Bolts | G (1) Duo Panel |
| B (4) Short Allen Bolts | H (2) Leg Extensions |
| C (4) Spring Washers | |
| D (4) Flat Washers | |
| E (4) Hex Nuts | |
| F (1) Allen Wrench | |

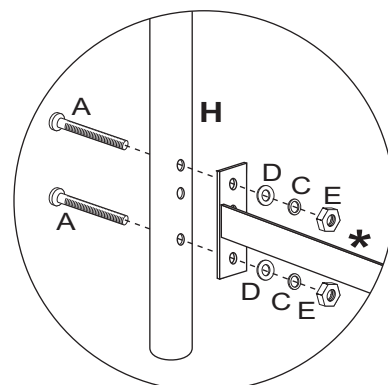
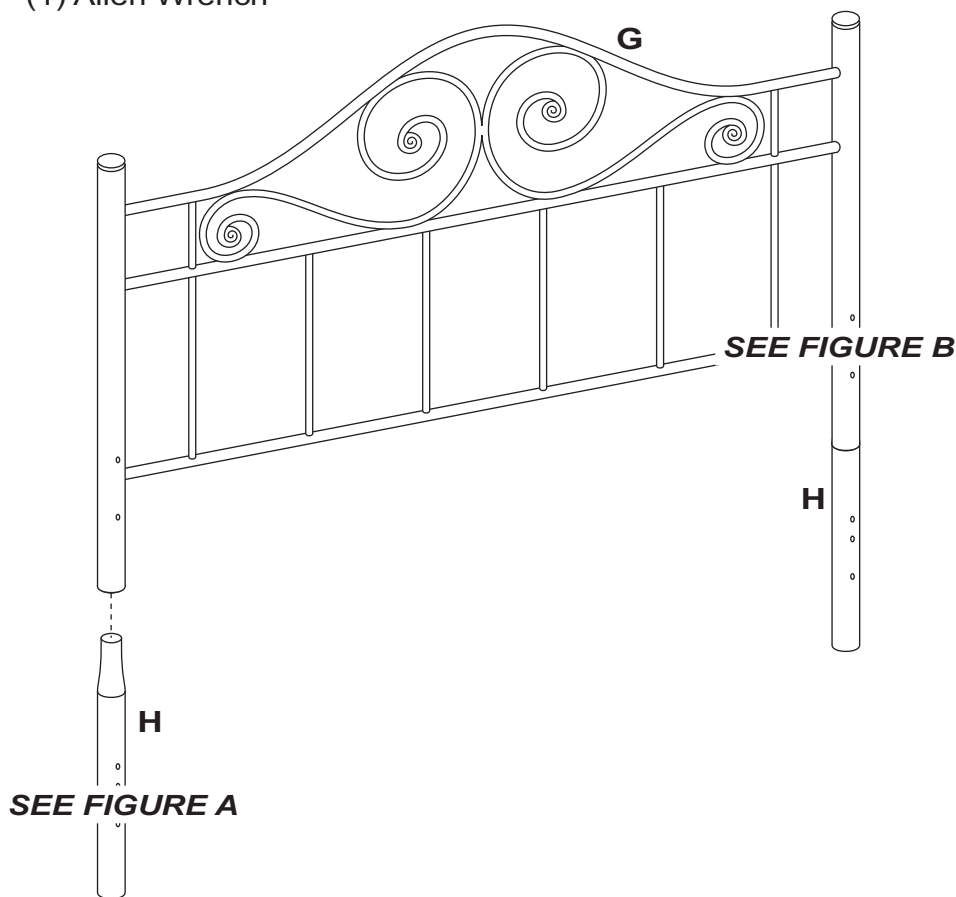
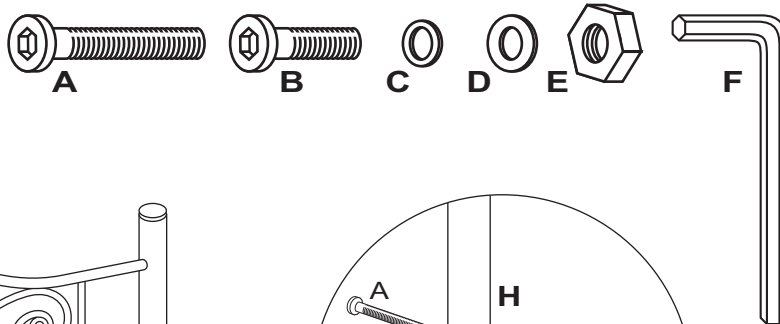


FIGURE A

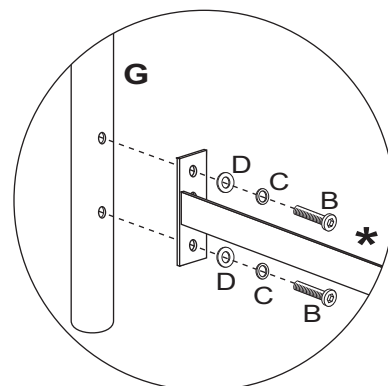


FIGURE B

STEP 1 ~ Headboard Assembly Only

Begin assembly by attaching each Leg Extension (H) to the bottom of each post on the Duo Panel (H) by firmly sliding into place.

STEP 2 ~ Headboard Bed Frame Assembly Only

Next, attach the bed frame (*Not Included) to each Leg Extension (H) using 2 Long Allen Bolts (A) from the backside, 2 Flat Washers (D), 2 Spring Washers (C) & 2 Hex Nuts (E) per each side. See Figure A. Tighten all bolts, the assembly is now complete. Do not use the Leg Extensions (H) on the footboard panel. Discard any remaining parts/hardware and keep instructions for future assembly.

STEP 3 ~ Footboard Assembly Only

Attach the bed frame (*Not Included) to each post on the Duo Panel (H) using 2 Short Allen Bolts (B), 2 Spring Washers (C) & 2 Flat Washers (D) per each side. See Figure B. Tighten all bolts, the assembly is now complete. Do not use the Leg Extensions (H) on the footboard panel. Discard any remaining parts/hardware and keep instructions for future assembly.