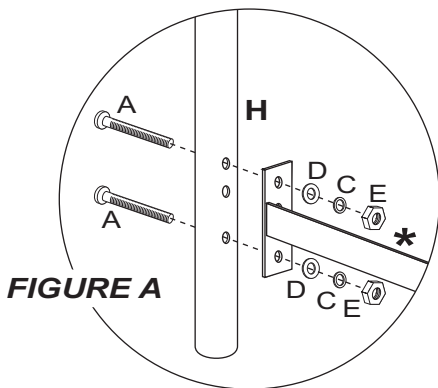
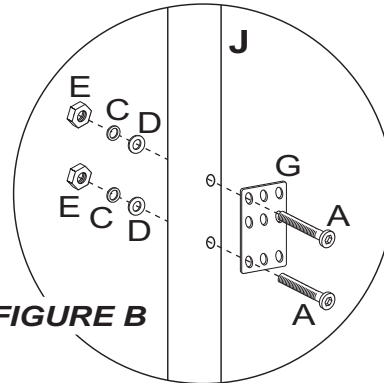
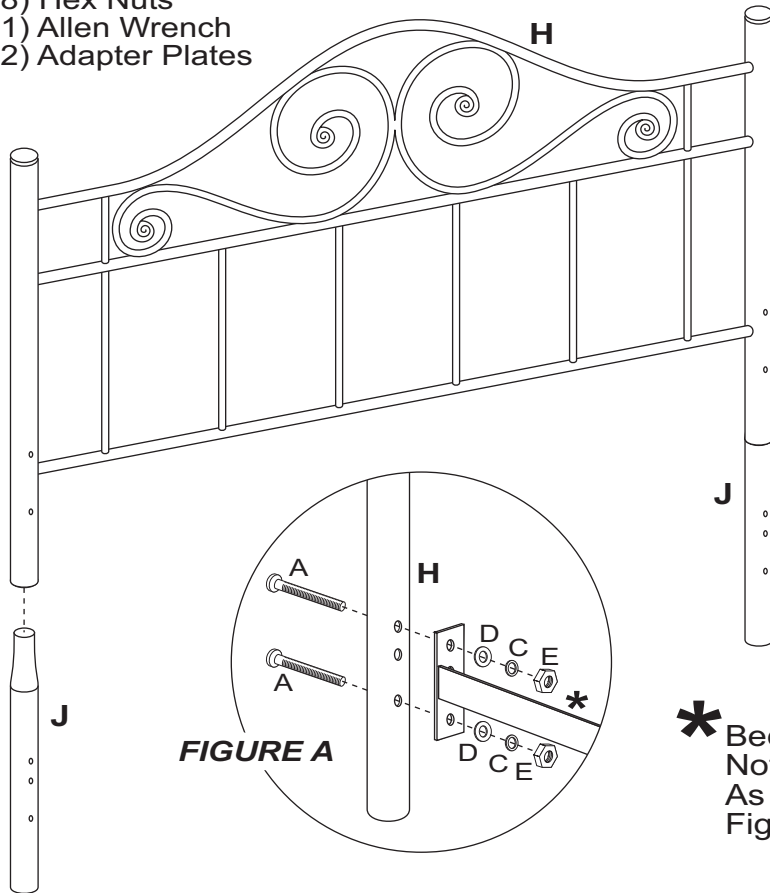


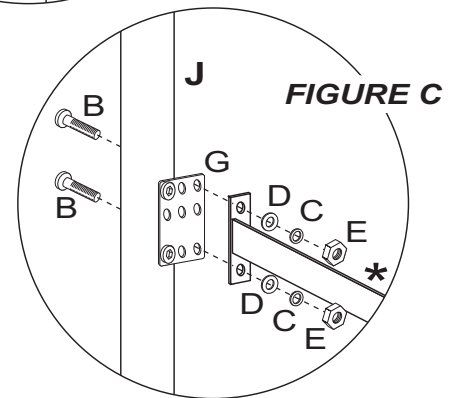
HARRISON HEADBOARD
Model #1403/1408-490 Full/Queen Headboard

Examine all packaging material for small parts that may have come loose during shipment. Periodic checks are recommended to insure that all components are in proper position, tight and free from damage. Keep this assembly instruction for future reference. Adult assembly is required. Online Parts Request: parts.request@hillsdalefurniture.com - Customer Service Phone Number: 502-562-0000

- | HARDWARE LIST | PARTS LIST |
|-------------------------|----------------------|
| A (4) Long Allen Bolts | H (1) Duo Panel |
| B (4) Short Allen Bolts | J (2) Leg Extensions |
| C (8) Spring Washers | |
| D (8) Flat Washers | |
| E (8) Hex Nuts | |
| F (1) Allen Wrench | |
| G (2) Adapter Plates | |



* Bed Frame Not Included As Shown In Figures A & C.



STEP 1 ~ Headboard Assembly

Begin assembly by attaching each Leg Extension (J) to the bottom of each post on the Duo Panel (H) by firmly sliding into place.

STEP 2 ~ Queen Size Bed Frame Assembly

Next, attach the bed frame (*Not Included) to each Leg Extension (J) using 2 Long Allen Bolts (A) from the backside, 2 Flat Washers (D), 2 Spring Washers (C), & 2 Hex Nuts (E) per each side. Tighten all bolts. See Figure A. The assembly of your new bed is now complete.

STEP 3 ~ Full Size Bed Frame Assembly

Attach the Adapter Plate (G) to the Leg Extension (J) using 2 Long Allen Bolts (A), 2 Flat Washers (D), 2 Spring Washers (C) & 2 Hex Nuts (E) per each side. Tighten all bolts.

STEP 4 ~ Full Size Bed Frame Assembly

Finally, attach the bed frame (*Not Included) to the Adapter Plate (G) using 2 Short Allen Bolts (B), 2 Flat Washers (D), 2 Spring Washers (C) & 2 Hex Nuts (E) per each side. Tighten all bolts. The assembly is now complete.